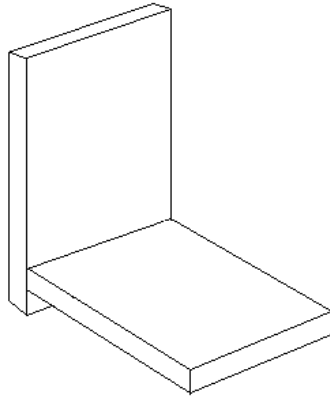


Squirrel Feeder

This is a very easy squirrel feeder that definitely works!!

Materials: (2) Pieces of 1" x 6", (1) 3 ½" Framing nail, (2) 1 ½" Deck Screws, (2) 2" Deck Screws

1. Take both pieces of 1" x 6" pieces of wood and screw together using the (2) 1 ½" deck screws to form an "ELL" shape like the picture below.



2. Take 3 ½" framing nail and drive up through the center of the bottom of the "ELL". You are now finished. Just screw it to a tree using the 2 ½" deck screws. Now place an ear of corn on the nail. Your finished product should look like the picture below.

